

| Powder | Max Grains | Case Density (%) | Velocity FPS | Pmax (k) |
|----------------------|------------|------------------|--------------|----------|
| Rottweil R910 | 11.7 | 89 | 2709 | 40.6 |
| Bofors RP1/NP | 15.6 | 105 | 2708 | 38.1 |
| Norma 200 | 15.6 | 105 | 2708 | 38.1 |
| Nitrochemie A/S 0200 | 13.0 | 91 | 2675 | 40.6 |
| Lovex-S0531 | 13.0 | 101 | 2672 | 40.6 |
| Hodgdon H4227 | 13.2 | 100 | 2672 | 40.6 |
| Vihtavuori N110 | 11.6 | 96 | 2657 | 40.6 |
| Nitrochemie A/S 0300 | 15.4 | 105 | 2653 | 36.6 |
| ADI AR 2207 | 14.1 | 105 | 2653 | 35.8 |
| Alliant Reloder- 7 | 14.5 | 105 | 2644 | 38.6 |
| Accurate 5744 | 12.2 | 91 | 2642 | 40.6 |
| IMR 4227 | 12.9 | 99 | 2639 | 40.6 |
| Accurate 1680 | 14.4 | 94 | 2633 | 40.6 |
| Ramshot X-Terminator | 16.1 | 105 | 2603 | 37.0 |
| Accurate 2200 | 15.3 | 105 | 2601 | 40.0 |
| Somchem S265 | 12.5 | 95 | 2586 | 40.6 |
| Hodgdon H4198 | 14.1 | 105 | 2579 | 40.2 |
| ADI BM2 | 16.0 | 105 | 2568 | 39.1 |
| ADI AR 2205 | 12.4 | 91 | 2567 | 40.6 |
| Vihtavuori N120 | 13.7 | 105 | 2564 | 33.5 |
| ADI AR 2219 | 15.5 | 105 | 2540 | 35.4 |
| PB Clermont PCL 508 | 16.1 | 105 | 2533 | 34.6 |
| SNPE Vectan SP 10 | 16.1 | 105 | 2532 | 34.5 |
| IMR 4198 | 13.5 | 105 | 2526 | 34.4 |
| SF-033 fl | 15.4 | 105 | 2514 | 29.6 |
| Hodgdon H335 | 16.4 | 105 | 2511 | 34.7 |
| Kazan Sunar 308W | 14.7 | 105 | 2498 | 33.5 |
| ADI AR 2210 | 15.5 | 105 | 2497 | 35.3 |
| Alliant Reloder-10x | 14.2 | 105 | 2450 | 28.6 |
| Lovex-D0731 | 16.0 | 105 | 2438 | 34.6 |
| Lovex-D0733 | 16.0 | 105 | 2437 | 33.7 |
| Accurate 2230 | 16.1 | 105 | 2380 | 29.6 |
| Ramshot TAC | 16.1 | 105 | 2375 | 30.3 |
| Vihtavuori N130 | 14.1 | 105 | 2369 | 28.1 |
| Hodgdon H322 | 14.6 | 105 | 2359 | 28.6 |
| Alliant Reloder-12 | 15.3 | 105 | 2357 | 29.2 |
| Accurate 2015 | 14.5 | 105 | 2348 | 25.8 |
| Hodgdon Benchmark | 14.8 | 105 | 2333 | 29.3 |
| Somchem S321 | 16.2 | 105 | 2330 | 28.1 |
| Vihtavuori N530 | 15.1 | 105 | 2323 | 28.3 |
| Winchester 748 | 16.2 | 105 | 2317 | 28.9 |
| Accurate 2460 | 16.1 | 105 | 2311 | 26.4 |
| PB Clermont PCL 507 | 15.7 | 105 | 2294 | 27.6 |
| Lovex-D0832 | 15.9 | 105 | 2283 | 28.2 |

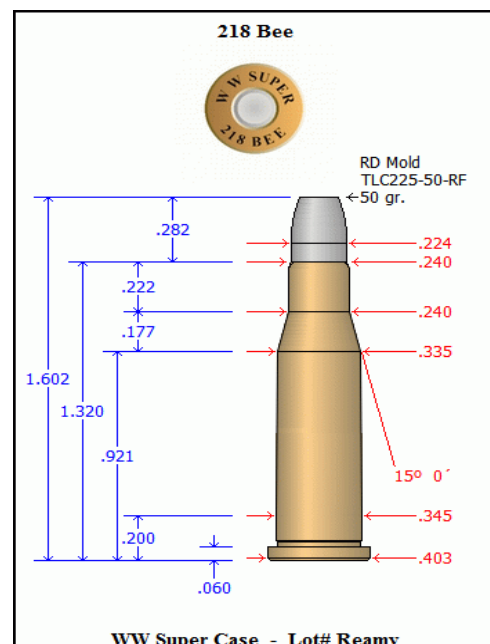
**Notes for Ranch Dog's use only!
Any other use is at your own risk!**

Click to return to:

[TLC225-50-RF Directory](#)

[RDO Home Page](#)

| Ranch Dog's Load Notes | |
|--|--|
| Original: 03/30/10 | |
| TLC225-50-RF | |
| 218 Bee | |
| Marlin 1894CL | |
| 20" | |
| 1.602 | |
| Load Selection | |
| Alloy: | |
| Lyman #2 clone | |
| Water Quenched | |
| Case Density | |
| Max: 105% | |
| Min: 86% | |
| Pressure | |
| Read My Pressure Notes | |
| 46.4K Pmax | |
| 40.6K NMP | |
| Velocity | |
| Maximum to Max -20% | |
| No other loads considered! | |



TLC225-50-RF 218 Bee with 20" Barrel

Ranch Dog 's Load Notes
Property of Ranch Dog Outdoors

| Powder | Max Grains | Case Density (%) | Velocity FPS | Pmax (k) |
|------------------|-------------------|-------------------------|---------------------|-----------------|
| ADI AR 2206 | 14.9 | 105 | 2263 | 28.3 |
| Norma 201 | 15.4 | 105 | 2262 | 24.9 |
| Lovex-S0601 | 14.6 | 105 | 2239 | 27.2 |
| Rottweil R901 | 14.3 | 105 | 2215 | 22.3 |
| Hodgdon H4895 | 15.0 | 105 | 2209 | 24.1 |
| Somchem S335 | 14.7 | 105 | 2206 | 23.5 |
| Hodgdon BL-C2 | 16.4 | 105 | 2206 | 25.1 |
| ADI AR 2206H | 15.0 | 105 | 2201 | 24.2 |
| Vihtavuori N133 | 13.8 | 105 | 2193 | 23.9 |
| Norma 202 | 14.8 | 105 | 2187 | 23.0 |
| Somchem S341 | 16.2 | 105 | 2181 | 26.1 |
| SNPE Vectan SP 9 | 15.5 | 105 | 2175 | 24.7 |

Notes for Ranch Dog's use only!
Notes for Ranch Dog's use only!
Any other use is at your own risk!

Click to return to:

[TLC225-50-RF Directory](#)

[RDO Home Page](#)

| |
|--|
| Ranch Dog's Load Notes |
| Original: 03/30/10 |
| TLC225-50-RF |
| 218 Bee |
| Marlin 1894CL |
| 20" |
| 1.602 |
| Load Selection |
| Alloy: |
| Lyman #2 clone |
| Water Quenched |
| Case Density |
| Max: 105% |
| Min: 86% |
| Pressure |
| Read My Pressure Notes |
| 46.4K Pmax |
| 40.6K NMP |
| Velocity |
| Maximum to Max -20% |
| No other loads considered! |

| Powder | Max Grains | Case Density (%) | Velocity FPS | Pmax (k) |
|--------|---------------|------------------------|-----------------|-------------|
|--------|---------------|------------------------|-----------------|-------------|

Notes for Ranch Dog's use only!

| | | | | | | |
|----------------------------|----------|-----|----------|-------|----|-------------|
| | | | | | | 1.255318926 |
| ADI AP 2214 | 31.1524 | 105 | 2340.086 | 24717 | 53 | 1.248705177 |
| Alliant Reloder-25 | 29.84759 | 105 | 2319.702 | 21814 | 57 | 1.318789087 |
| Ramshot Magnum (Big Bo | 32.13101 | 105 | 2318.097 | 23907 | 52 | 1.271319464 |
| SNPE Vectan SP 12 | 32.03315 | 105 | 2311.039 | 23684 | 52 | 1.276690298 |
| PB Clermont PCL 517 | 32.03315 | 105 | 2304.417 | 23565 | 51 | 1.280220821 |
| Accurate 3100 | 28.37967 | 105 | 2233.041 | 18271 | 61 | 1.424338469 |
| Hodgdon H1000 | 29.68448 | 105 | 2182.519 | 20640 | 48 | 1.359715522 |
| Norma MRP 2 | 30.01069 | 105 | 2166.745 | 18788 | 49 | 1.419068953 |
| Lovex-D1001 | 32.29411 | 105 | 2098.676 | 20036 | 43 | 1.39671281 |
| Vihtavuori N570 | 31.6417 | 105 | 2090.677 | 18607 | 40 | 1.436213801 |
| Vihtavuori N170 | 29.68448 | 105 | 2065.615 | 17216 | 46 | 1.474819961 |
| Hodgdon Retumbo | 30.17379 | 105 | 2055.031 | 17477 | 45 | 1.468939098 |
| Vihtavuori 24N41 | 31.96791 | 105 | 2043.947 | 19081 | 38 | 1.428890265 |
| ADI AR 2218 | 31.96791 | 105 | 1969.614 | 17676 | 34 | 1.48389569 |
| Hodgdon H870 | 30.9893 | 105 | 1886.718 | 14855 | 36 | 1.58088393 |
| Hodgdon 50BMG | 30.46737 | 105 | 1875.371 | 15253 | 32 | 1.564089461 |
| Hodgdon US 869 | 31.96791 | 105 | 1846.257 | 15027 | 33 | 1.58420624 |
| SNPE Vectan SP 13 | 30.66309 | 105 | 1774.513 | 13233 | 34 | 1.662802976 |
| PB Clermont PCL 513/520, | 30.66309 | 105 | 1724.117 | 12589 | 32 | 1.699733012 |
| NC A3502 ,test only | 29.35828 | 105 | 1715.136 | 13534 | 25 | 1.677857705 |
| Accurate 8700 | 30.72833 | 105 | 1696.142 | 12597 | 30 | 1.704166443 |
| Vihtavuori 20N29 | 32.29411 | 105 | 1674.293 | 12360 | 29 | 1.752851624 |
| TLP A 502(RH) ,test only | 29.35828 | 105 | 1660.607 | 12266 | 25 | 1.751774873 |
| V1734 7-multiperf ,test or | 29.35828 | 105 | 1213.295 | 7181 | 12 | 2.222788441 |

6144.481
5676.135
6055.904
5847.745
5820.606
5781.936
6057.606
5001.498
5428.166
4620.856
4844.004
4841.639
4661.378
4290.796
4015.004
3973.503
3728.38
3626.586
3471.509
3244.018
2763.107
3038.78
3034.129
2718.451
1306.676