

Powder	Max Grains	Case Density (%)	Velocity FPS	Pmax (k)
IMR 3031	25.8	96	3040	36.2
Accurate 2495	26.6	98	3027	36.2
Accurate 4064	28.1	105	3006	36.2
Accurate 2520	27.7	94	2988	36.2
Vihtavuori N135	26.6	103	2987	36.2
Winchester 748	27.1	88	2986	36.2
Norma 203 old	28.8	100	2984	36.2
IMR 4895	27.2	95	2982	36.2
Hodgdon H322	24.5	88	2981	36.2
Hodgdon BL-C2	28.4	91	2979	36.2
Lovex-D0832	26.8	89	2976	36.2
Rottweil R903	28.8	102	2975	36.2
Norma 203B	27.6	96	2969	36.2
Norma 202	26.1	93	2967	36.2
Vihtavuori N550	30.2	103	2963	36.2
Alliant Reloder-15	27.4	96	2962	36.2
Bofors RP11	27.4	96	2962	36.2
Raufoss RA11	27.4	96	2962	36.2
Hodgdon H4895	26.2	92	2959	36.2
Ramshot BigGame	29.0	98	2958	36.2
Vihtavuori N540	27.5	95	2957	36.2
SNPE Vectan SP 11	29.1	99	2956	36.2
Somchem S355	28.1	100	2955	36.2
Accurate 2015	24.2	88	2954	36.2
Ramshot TAC	26.5	87	2949	36.2
PB Clermont PCL 507	26.5	89	2949	36.2
Vihtavuori N140	26.6	95	2948	36.2
Somchem S321	27.0	88	2948	36.2
ADI AR 2206H	26.2	92	2947	36.2
Vihtavuori N530	25.3	88	2947	36.2
Lovex-S0621	26.9	97	2946	36.2
Rottweil R901	24.7	91	2941	36.2
Alliant Reloder-12	25.5	88	2941	36.2
Accurate 2460	26.7	87	2938	36.2
SNPE Vectan SP 9	27.3	92	2937	36.2
Norma 201	26.0	89	2932	36.2
Hodgdon H380	28.5	97	2932	36.2
Hodgdon H414	29.8	98	2929	36.2
Alliant Reloder-17	28.8	96	2926	36.2
Rottweil R902	26.2	95	2925	36.2
IMR 4320	27.1	96	2924	36.2
Winchester 760	30.3	100	2922	36.2
Vihtavuori N133	24.4	93	2922	36.2
Somchem S341	28.0	91	2920	36.2

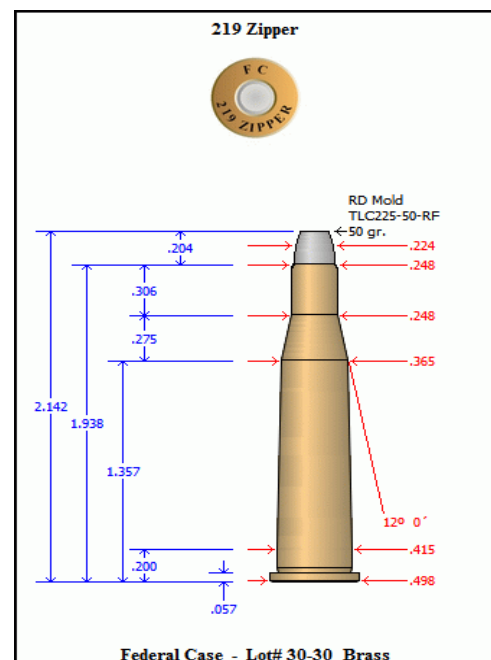
Notes for Ranch Dog's use only!
Any other use is at your own risk!

Click to return to:

[TLC225-50-RF Directory](#)

[RDO Home Page](#)

Ranch Dog's Load Notes	
Original: 03/30/10	
TLC225-50-RF	
219 Zipper	
Marlin 336SC	
20"	
2.142	
Load Selection	
Alloy:	
Lyman #2 clone	
Water Quenched	
Case Density	
Max: 105%	
Min: 86%	
Pressure	
Read My Pressure Notes	
41.3K Pmax	
36.2K NMP	
Velocity	
Maximum to Max -10%	
No other loads considered!	



Federal Case - Lot# 30-30 Brass
TLC225-50-RF 219 Zipper with 20" Barrel

Ranch Dog 's Load Notes
Property of Ranch Dog Outdoors

Powder	Max Grains	Case Density (%)	Velocity FPS	Pmax (k)
IMR 4064	26.4	98	2916	36.2
Vihtavuori N130	23.3	87	2916	36.2
PB Clermont PCL 516	28.3	93	2914	36.2
Vihtavuori N150	28.3	105	2914	35.4
Hodgdon VARGET	26.7	97	2911	36.2
ADI AR 2208	26.7	96	2911	36.2
Norma URP	29.7	105	2906	34.7
Bofors RP19	29.7	105	2905	34.6
Somchem S335	25.6	92	2905	36.2
Hodgdon H4350	29.8	105	2904	36.2
SNPE Vectan SP 7	28.0	91	2902	36.2
Lovex-S0701	29.7	105	2900	36.2
Hodgdon Benchmark	24.6	87	2894	36.2
Lovex-S0651	28.8	103	2891	36.2
Ramshot Hunter	31.0	105	2882	35.2
Lovex-S0601	25.0	90	2874	36.2
ADI AR 2206	25.2	89	2867	36.2
Rottweil R907	28.3	101	2861	36.2
IMR 4007 SSC	28.3	98	2860	36.2
Norma 204	30.6	104	2851	36.2
IMR 4350	28.7	105	2816	33.0
Accurate 2700	29.0	98	2806	36.2
Somchem S365	29.8	105	2786	30.4
Bofors RP4	30.0	105	2777	33.6
Raufoss RA4	30.0	105	2777	33.6
Rottweil R904	29.6	105	2744	33.3

Notes for Ranch Dog's use only!
Notes for Ranch Dog's use only!
Any other use is at your own risk!

Click to return to:

[TLC225-50-RF Directory](#)

[RDO Home Page](#)

Ranch Dog's Load Notes
Original: 03/30/10
TLC225-50-RF
219 Zipper
Marlin 336SC
20"
2.142
Load Selection
Alloy:
Lyman #2 clone
Water Quenched
Case Density
Max: 105%
Min: 86%
Pressure
Read My Pressure Notes
41.3K Pmax
36.2K NMP
Velocity
Maximum to Max -10%
No other loads considered!