

**Ranch Dog 's Load Notes**  
Property of Ranch Dog Outdoors

Powder	Max Grains	Case Density (%)	Velocity FPS	Pmax (k)
Hodgdon Lil'Gun	10.4	94	2550	38.1
Winchester 296	10.5	92	2526	38.1
Rottweil R910	9.4	96	2498	38.1
Hodgdon H110	10.6	93	2475	38.1
Vihtavuori N110	9.4	104	2454	38.1
Nitrochemie A/S 0200	10.5	99	2441	38.1
PB Clermont PCL 512	9.1	90	2422	38.1
Accurate 4100	9.5	87	2398	38.1
Lovex-D0631	9.6	86	2387	38.1
Accurate 5744	9.6	97	2386	38.1
Lovex-S0401	8.5	90	2374	38.1
IMR 4227	10.2	105	2368	37.3
Accurate 1680	11.4	100	2364	38.1
Hodgdon H4227	10.2	105	2352	35.0
Somchem S265	9.9	102	2351	38.1
Alliant BLUE DOT	7.5	87	2351	38.1
Lovex-S0531	10.0	105	2341	32.9
ADI AR 2205	9.8	97	2331	38.1
Vihtavuori N105	7.2	87	2317	38.1
Norma 200	11.5	105	2215	25.2
Bofors RP1/NP	11.5	105	2215	25.2
ADI AP 100	6.4	87	2205	38.1
ADI AR 2207	10.4	105	2203	26.0
Alliant Reloder- 7	10.8	105	2197	27.3
Nitrochemie A/S 0300	11.4	105	2167	26.9
Hodgdon H4198	10.5	105	2152	30.4
Accurate 2200	11.3	105	2148	29.5
Vihtavuori N120	10.2	105	2135	24.7
Ramshot X-Terminator	11.9	105	2130	27.1
ADI BM2	11.9	105	2117	28.7
IMR 4198	10.0	105	2106	26.1
ADI AR 2219	11.5	105	2072	26.4
PB Clermont PCL 508	11.9	105	2066	25.5
SNPE Vectan SP 10	11.9	105	2066	25.4
Kazan Sunar 308W	10.9	105	2064	24.3
ADI AR 2210	11.5	105	2050	26.0
Hodgdon H335	12.2	105	2042	25.7

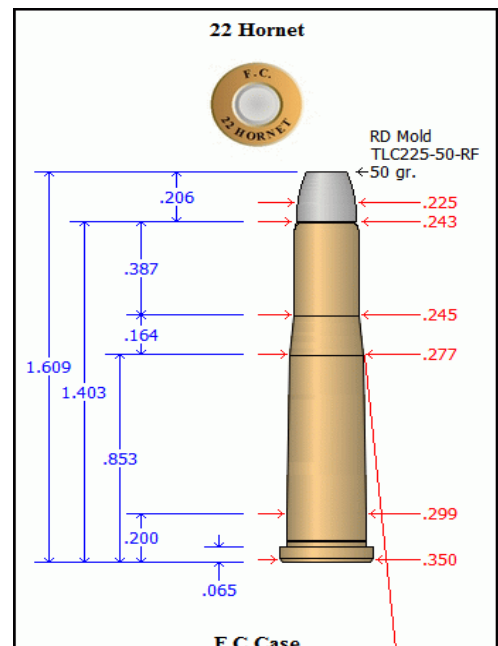
**Notes for Ranch Dog's use only!**  
**Any other use is at your own risk!**

Click to return to:

[TLC225-50-RF Directory](#)

[RDO Home Page](#)

Ranch Dog's Load Notes	
Original: 03/30/10	
TLC225-50-RF	
22 Hornet	
H&R SB2	
22"	
1.609	
Load Selection	
Alloy:	
Lyman #2 clone	
Water Quenched	
Case Density	
Max: 105%	
Min: 86%	
Pressure	
<a href="#">Read My Pressure Notes</a>	
43.5K Pmax	
38.1K NMP	
Velocity	
Maximum to Max -20%	
No other loads considered!	



TLC225-50-RF 22 with 22" Barrel