

Ranch Dog 's Load Notes
Property of Ranch Dog Outdoors

Powder	Max Grains	Case Density (%)	Velocity FPS	Pmax (k)
SF-033 fl	31.5	95	2254	40.6
Nitrochemie A/S 0300	30.1	91	2243	40.6
Hodgdon BL-C2	36.1	103	2237	40.6
Winchester 748	34.4	99	2229	40.6
Norma 202	33.3	105	2223	40.6
Hodgdon H4895	33.4	103	2217	40.6
Hodgdon H335	33.1	94	2216	40.6
SNPE Vectan SP 10	32.2	93	2213	40.6
Somchem S321	34.3	99	2212	40.6
Hodgdon H322	31.0	99	2212	40.6
ADI AR 2219	31.0	93	2212	40.6
PB Clermont PCL 508	32.2	93	2212	40.6
Ramshot X-Terminator	31.5	91	2208	40.6
Alliant Reloder-10x	29.4	97	2207	40.6
ADI AR 2206H	33.4	103	2205	40.6
Ramshot TAC	33.7	98	2204	40.6
PB Clermont PCL 507	33.8	100	2204	40.6
Norma 200	29.4	88	2200	40.6
Accurate 2015	30.9	99	2199	40.6
Vihtavuori N530	32.2	99	2195	40.6
SNPE Vectan SP 9	34.6	104	2194	40.6
Norma 201	33.1	101	2194	40.6
Alliant Reloder-12	32.4	99	2189	40.6
Accurate 2230	33.3	96	2186	40.6
Lovex D073.4	33.3	96	2186	40.6
IMR 3031	31.7	105	2185	36.1
IMR 8208 XBR	32.5	101	2184	40.6
IMR 4895	33.9	105	2183	37.6
ADI AR 2207	27.2	90	2179	40.6
Somchem S341	35.5	102	2175	40.6
Vihtavuori N540	34.2	105	2173	38.0
PB Clermont PCL 516	35.7	104	2173	40.6
Somchem S335	32.6	103	2165	40.6
Vihtavuori N133	30.9	105	2163	40.6
Vihtavuori N140	33.2	105	2161	38.5
IMR 4198	27.1	94	2158	40.6
Vihtavuori N130	29.6	98	2155	40.6
ADI AR 2210	30.9	93	2155	40.6
Raufoss RA11	33.9	105	2152	36.9
Bofors RP11	33.9	105	2152	36.9
Alliant Reloder-15	33.9	105	2152	36.9
Alliant Reloder- 7	27.8	89	2151	40.6
Bofors RP2 NT	32.5	101	2147	40.6
Accurate 2200	29.3	90	2145	40.6

Notes for Ranch Dog's use only! Any other use is at your own risk!

Original: 02/20/10

Revision: 02/03/11

Updated Cartridge OAL

TLC323-170-RF

Bullet Wgt = 175-grains

32 Win Spl

Marlin 336RC

20"

OAL = 2.435" MIN

Load Selection

Alloy:

Lyman #2 clone
Water Quenched

Case Density

Max: 105%
Min: 86%

Pressure

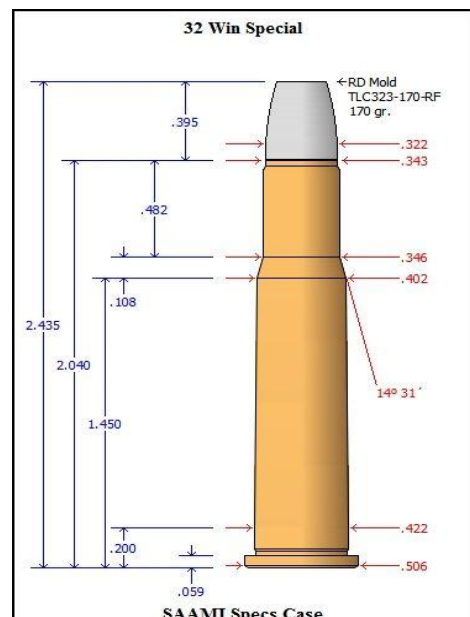
[Click to read Pressure Notes!](#)

46.4K Pmax
40.6K NMP

Velocity

Maximum to Max -10%

No other loads considered!



Ranch Dog 's Load Notes
Property of Ranch Dog Outdoors

Powder	Max Grains	Case Density (%)	Velocity FPS	Pmax (k)
ADI BM2	31.1	90	2144	40.6
Vihtavuori N120	27.2	92	2143	40.6
Hodgdon Benchmark	31.2	98	2143	40.6
Kazan Sunar 308W	29.4	93	2143	40.6
Norma 203B	33.9	105	2141	36.0
Rottweil R902	32.7	105	2140	38.0
Lovex S060	31.7	101	2127	40.6
ADI AR 2206	31.9	100	2121	40.6
Alliant Reloder-17	35.5	105	2119	37.8
Bofors RP1 NT	27.9	89	2118	40.6
Lovex S062	32.9	105	2118	35.5
Hodgdon H4198	27.1	89	2109	40.6
IMR 4320	33.3	105	2104	37.2
ADI AR 2208	32.9	105	2100	37.2
Hodgdon VARGET	32.8	105	2092	36.8
Ramshot BigGame	35.0	105	2084	34.3
SNPE Vectan SP 11	35.0	105	2080	34.1
IMR 4064	32.0	105	2066	35.1
Bofors RP7 NT	34.2	105	2052	37.7

Notes for Ranch Dog's use only! Any other use is at your own risk!
Original: 02/20/10
Revision: 02/03/11
Updated Cartridge OAL
TLC323-170-RF
Bullet Wgt = 175-grains
32 Win Spl
Marlin 336RC
20"
OAL = 2.435" MIN
Load Selection
Alloy:
Lyman #2 clone
Water Quenched
Case Density
Max: 105%
Min: 86%
Pressure
Click to read Pressure Notes!
46.4K Pmax
40.6K NMP
Velocity
Maximum to Max -10%
No other loads considered!